

S/P Series



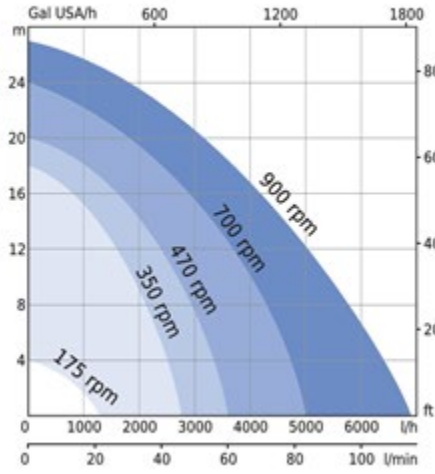
The bareshaft S/P Series of Flexible Impeller Pumps are available in 4 different sizes (MINI, MINOR, MAJOR & MAXI). They are particularly useful when an existing drive train is in place such as a PTOs, belt drives or hydraulic motors on vehicles such as trucks, tractors & boats. Due to their lightweight & compact design, versatility in port configuration, ability to handle a wide variety of fluids and wide range of accessories and materials they are a perfect solution for low head transfer, filling, metering & loading / offloading applications in both industrial and hygienic sectors. PTO Drives & Manual & Spring Loaded By-Passes are available on request.

Performance & Dimensions Data:

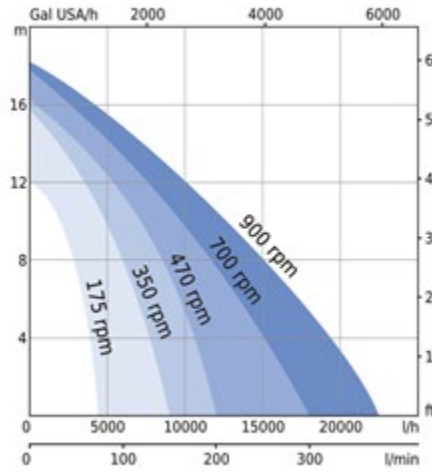
Tipo Type	Peso Weight	Giri/min Rpm	H (m) = Prevalenza / Head										Q (l/h) Portata Capacity		
			0	4	8	12	16	18	20	24	27	32			
S/P MINI 3/4"	1.8 kg	min 180	150	800	0										
		600	700	560	390	150	0								
		900	1000	900	840	720	540	450	350	0					
		max 1400	1620	1440	1320	1140	1020	900	800	600	400	0			

Tipo Type	Peso Weight	Giri/min Rpm	H (m) = Prevalenza / Head									Q (l/h) = Portata / Capacity	
			0	4	8	12	16	18	20	24	27		
S/P MINOR 40	5.4 kg	min 175	1320	0									
		350	2750	2500	2100	1600	800	0					
		470	3600	3300	2900	2400	1600	1000	0				
		700	5000	4700	4300	3700	3000	2520	1800	0			
		max 900	6900	6200	5760	5040	4200	3660	3200	1800	0		
S/P MAJOR 60	9.7 kg	min 175	4320	3840	3000	0							
		350	9000	7800	6000	3700	0						
		470	12000	10500	8700	5100	0						
		700	18000	15000	12000	8400	2500	0					
max 900	22500	19560	15000	11220	3000	0							
S/P MAXI 80	15.7 kg	min 150	12000	10000	7500	0							
		300	24600	22200	18900	12000	0						
		470	36000	34200	30000	24000	12000	0					
		max 600	43800	41400	36000	30000	16000	0					

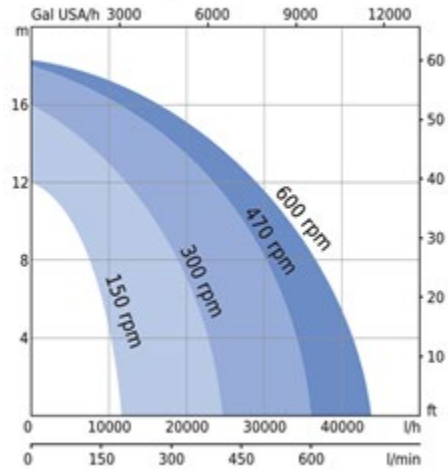
S/P MINOR 40



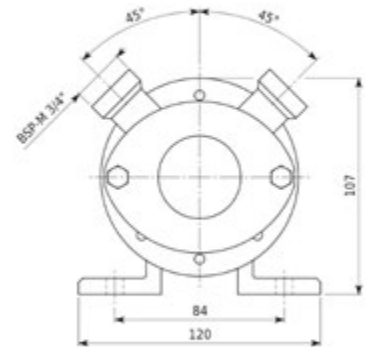
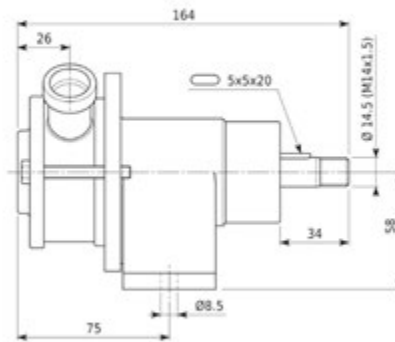
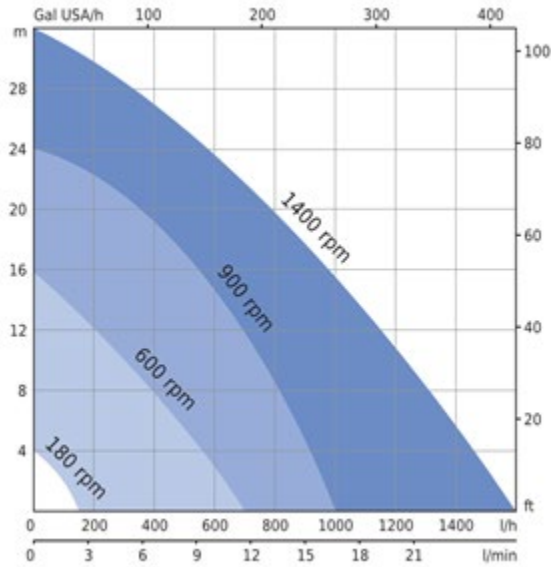
S/P MAJOR 60



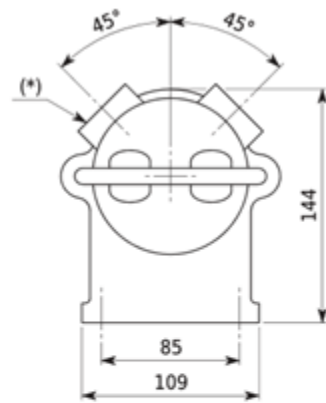
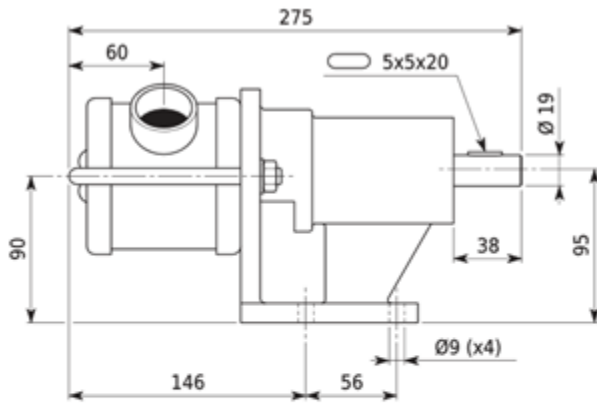
S/P MAXI 80



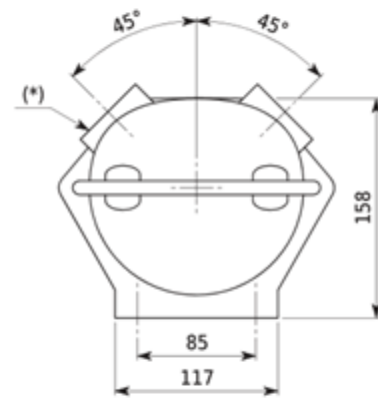
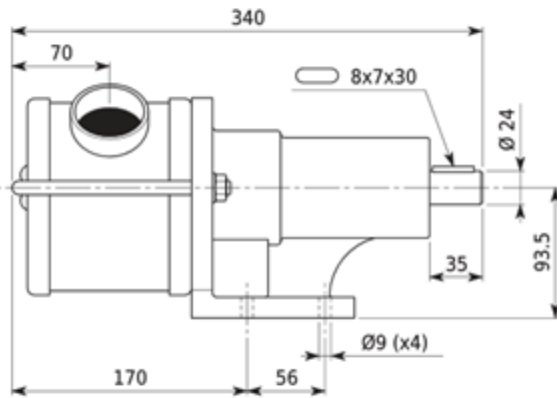
S/P MINI



**S/P
MINOR 40**



**S/P
MAJOR 60**



**S/P
MAXI 80**

