

MINIVERTER Series

MINIVERTER
MINI 3/4"



MINIVERTER
MIDEX 1 1/4"



servo fan motor

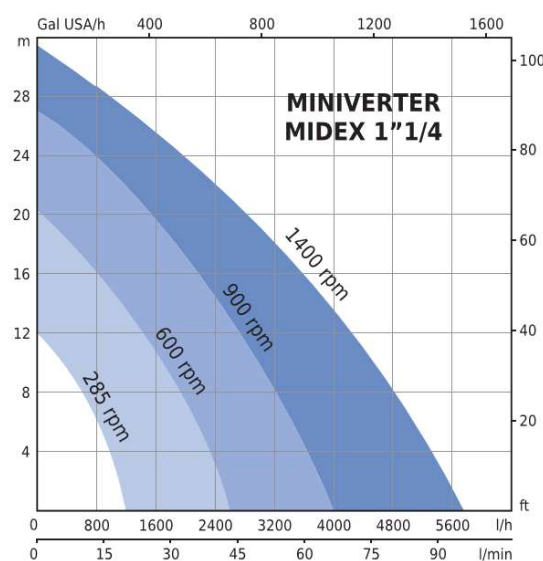
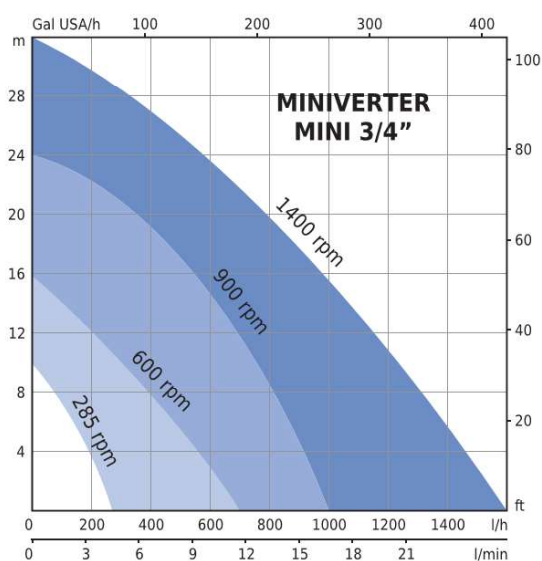
The MINIVERTER Series is characterised by its close coupled design and features 2 models, the MINIVERTER MINI and MINIVERTER MIDEX units. These offer the same sizing and performance range as their EP counterparts however in addition to having an on / off / reversing switch on the terminal box, there is also a potentiometer which allows for variable speed control. When combined with their SS316 construction and various impeller & sealing materials, the result is the most versatile utility pump available on the market today.

Speed range adjustment is from 285 - 1400 rpm and optional manual and spring loaded by-passes are available on request along with either U or L shaped Carrying Handles or Trolleys.

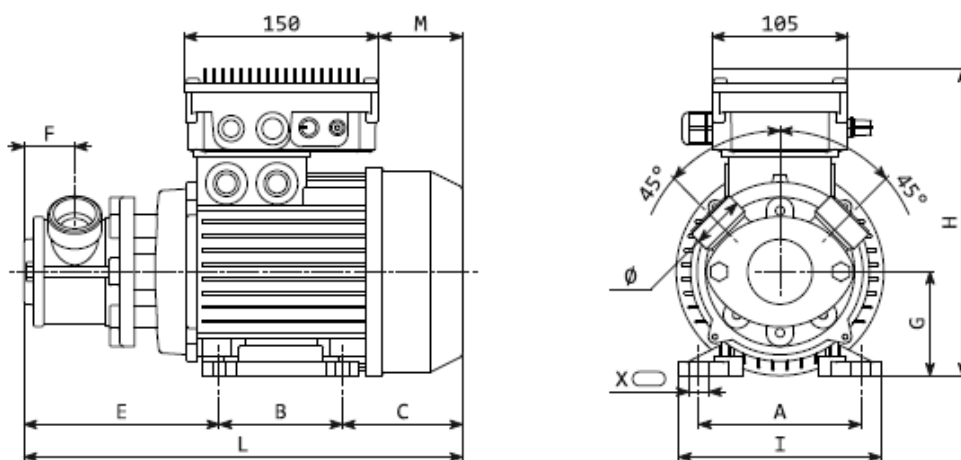
Feeding voltage is 230V / 1 Ph / 50 Hz which means that you have a portable pump which is capable of dry suction lifts up to 6 m, reversible and variable flow, multiple pump head and mounting configurations, solids handling and suitable for both thin and viscous liquids which can be plugged into a standard house hold plug socket. What could be easier!

Performance Data:

Tipo Type	Giri/min Rpm	H (m) = Prevalenza / Head											Q (l/h) Portata / Capacity
		0	4	8	10	12	16	18	20	24	27	32	
MINIVERTER MINI 3/4"	min 285	270	195	75	0								
	600	700	560	390	300	150	0						
	900	1000	900	840	750	720	540	450	350	0			
	max 1400	1620	1440	1320	1230	1140	1020	900	800	600	400	0	
MINIVERTER MIDEX 1"1/4	min 285	1200	970	600	340	0							
	600	2600	2300	2000	1690	1400	800	400	0				
	900	3840	3480	3180	2990	2760	2160	1800	1600	720	0		
	max 1400	5760	5160	4800	4580	4320	3600	3180	2800	1920	1200	0	



MINIVERTER MINI - MIDEX



Tipo Type	Peso Weight	∅	A	B	C	E	F	G	H	I	L	M	X
MINIVERTER MINI	9.8 kg	BSP-M 3/4"	113	90	81	110	26	71	222	138	281	51	7x12
MINIVERTER MIDEX	13.6 kg	BSP-M 1"1/4	125	100	90	148	39	80	236	156	338	65	10x18