

EP Series



EP MINI 3/4"
EP MIDEX 1"1/4



EP MINOR 40
EP MAJOR 60
EP MAXI 80

The EP Series is characterized by its close coupled design and integral on / off / reversing switch on the terminal box of its motor which is available in both single and three phase. Upon request three phase units can also be supplied with terminal board connections for hard wiring into installation. They are one of the most commonly used types of Self Priming Flexible Impeller Pumps and extensively used for transferring, filling & emptying applications in a plethora of industries as they can also be fitted carrying handles (U & L Shaped) or trolleys (Zinc Coated Iron & SS 304), which makes them a particularly versatile utility pump. Manual & Spring Loaded By-Passes are available on request.

I		MF 2m+SCHUKO
	IP55	TF 4m
M		Morsettiera Terminal board connection IP55

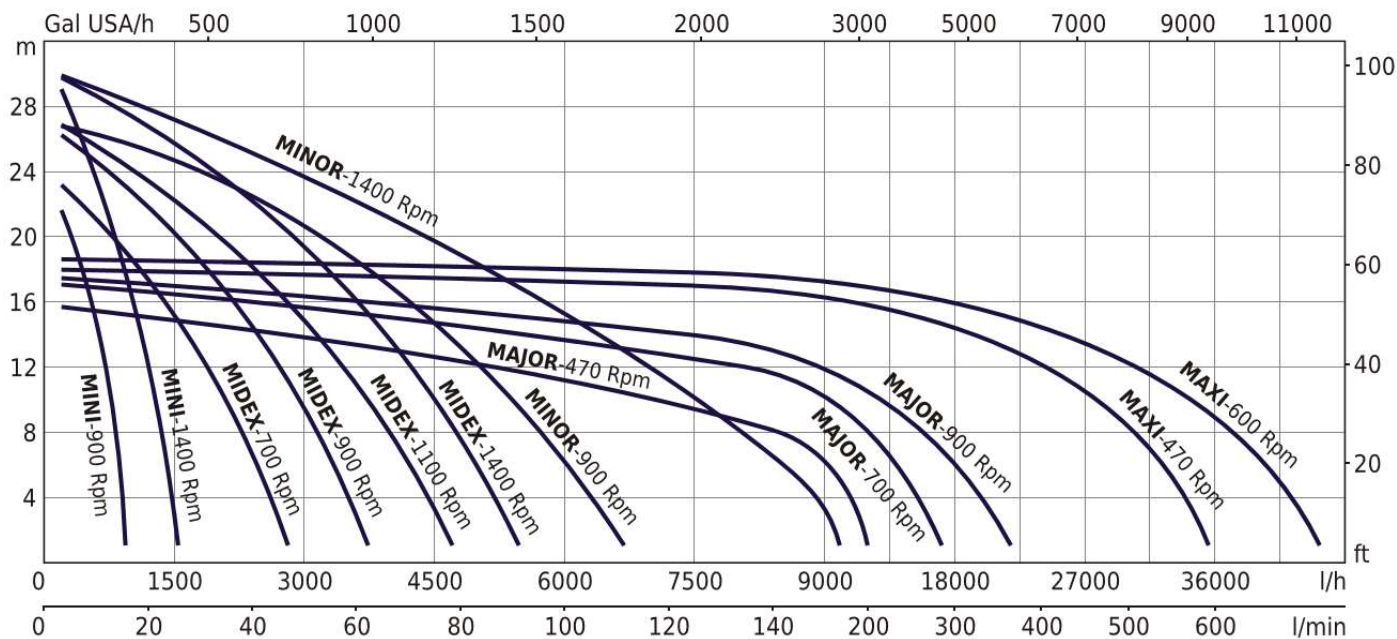
Motor Connection & Switch Options

Voltages: 12, 24 DC (Continuously Rated) & 110, 230 & 400V (1 & 3 Phase)

Speeds: 470, 600, 900 & 1400 rpm single & dual speed

Counter Connections: EP MINI & MIDEX Models are supplied with SS 304 & 316 Hose Connections as standard. Garolla to BSP F Reducers are available on request for other models.

Performance & Dimensional Data:

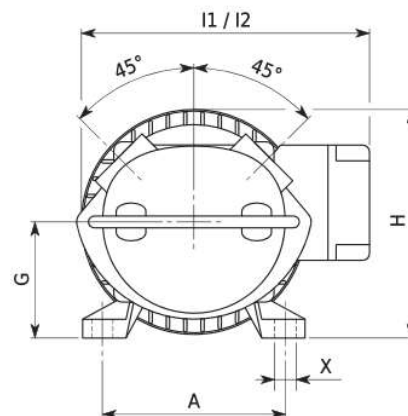
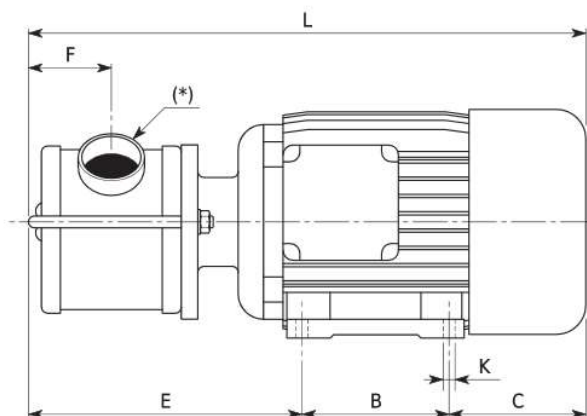


Tipo Type	Peso Weight	Motore * Motor *	HP	kW	Velocità Speed	Giri/min Rpm	H (m) = Prevalenza / Head									
							0	4	8	12	16	18	24	27	30	32
EP MINI 3/4"	9.3 kg	MF - TF	0.5	0.37	1	900	1000	900	840	720	540	450	0			
	9.0 kg	MF - TF	0.75	0.56	1	1400	1620	1440	1320	1140	1020	900	600	400	180	0
	10 kg	CC 12-24V	0.4	0.3	1	1400	1620	1440	1320	1140	1020	900	600	400	180	0
EP MIDEK 1"1/4	15 kg	MF - TF	0.75	0.56	1	900	3840	3480	3180	2760	2160	1800	720	0		
	15 kg	MF - TF	1	0.75	1	1400	5760	5160	4800	4320	3600	3180	1920	1200	0	
	15 kg	TF	0.75	0.56	2	1400	5760	5160	4800	4320	3600	3180	1920	1200	0	
			0.5	0.37	2	700	2880	2600	2300	1900	1400	1100	0			
	14 kg	CC 12V	0.74	0.55	1	1100	4800	4400	3980	3450	2800	2400	1100	0		
	14 kg	CC 24V	0.74	0.55	1	1100	4800	4400	3980	3450	2800	2400	1100	0		
EP MINOR 40	20 kg	MF - TF	2	1.5	1	900	6900	6200	5760	5040	4200	3660	1800	0		
	20 kg	TF	2	1.5	1	1400	10000	9000	8000	6900	5500	4900	2600	1700	0	
	27 kg	TF	2.5	1.87	2	1400	10000	9000	8000	6900	5500	4900	2600	1700	0	
			1.82	1.35	2	900	6900	6200	5760	5040	4200	3660	1800	0		
EP MAJOR 60	38 kg	TF	1.7	1.25	1	470	12000	10500	8700	5100	0					
	31 kg	TF	2	1.5	1	700	18000	15000	12000	8400	2500	0				
	31 kg	TF	2.5	1.87	1	900	22500	19560	15000	11220	3000	0				
EP MAXI 80	68 kg	TF	4.5	3.3	1	470	36000	34200	30000	24000	12000	0				
	68 kg	TF	4.7	3.5	1	600	43800	41400	36000	30000	16000	0				

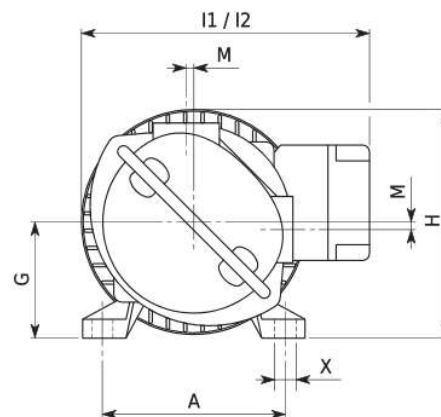
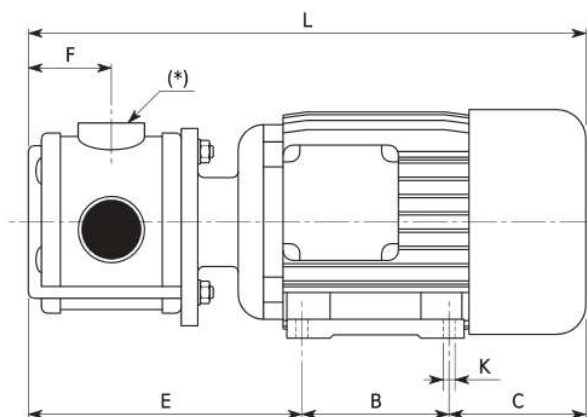
Q (l/h) = Portata / Capacity

* MF = monofase/single-phase - TF = trifase/three-phase - CC = corrente continua/direct current

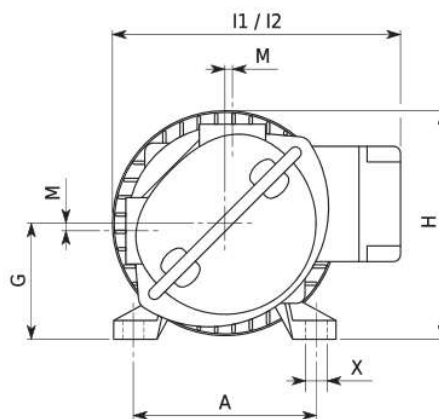
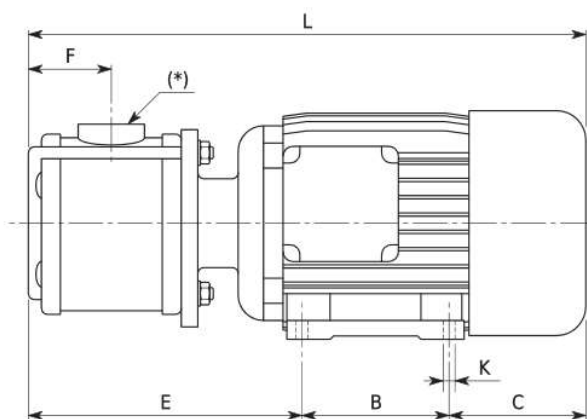
Posizione
Position
V



Posizione
Position
90D



Posizione
Position
90S



Tipo Type	Motore Motor	Velocità Speed	A	B	E	F	G	H	I1 **	I2 **	L	M	K	X
EP MINI 3/4"	M71	1	112	90	106	26	71	140	192	210	276	0	7	12
EP MIDEX 1"1/4	M80	1	125	100	148	38	80	159	200	227	338	7	8	16
	M80	2	125	100	148	38	80	159	-	227	338	7	8	16
EP MINOR 40	M90	1	140	125	198	60	90	180	210	240	420	4.5	10	16
	M100	2	160	140	210	60	100	198	-	260	455	4.5	12	21
EP MAJOR 60	M100	1	160	140	253	70	100	198	245	263	490	6.5	12	21
	M112	1	190	140	259	70	112	225	275	-	514	6.5	12	22
EP MAXI 80	M132	1	216	178	312	90	132	261	320	-	630	13	12	22

* raccordi disponibili / available pipe fittings

** I1 = motore con morsetteria / motor with terminal board connection

** I2 = motore con interruttore/invertitore / motor with on-off/rotative reverse switch