

English

MODELS

TPUK-BT-030S / TPUK-BTI-030S
TPUK-BT-120S / TPUK-BTI-120S
TPUK-BT-300S / TPUK-BTI-300S
(Including TPUK-SSR integration)

topflo[®]
pumps & systems



Operation & Maintenance Manual

PNEUMATIC BATCH CONTROL SYSTEM
TIMED



Instructions for the installation, start-up, operation, maintenance and repair



Spare parts



Read this instruction manual carefully before you install and operate this system!

Contents

Page	Section	Sub-section
3	CE Certificate	
4	Introduction	
	Warning symbols	
	Receiving inspection	
	Storage	
5	Mounting	
	Air connections	
	Air preparation	
	Air pressure	
	Health & safety	
	Protection	
	Explosive environments	
6	Principle of operation	
	Variants	BT
		BTI
	Key components	Fig.1
7	Time ranges	
	Stand alone and remote start/stop system configuration	
	Loss of pressure system	
	Essential accessories	
8	Recommended installation – stand alone	Fig.2
9	Recommended installation – remote start/stop	Fig.3
	Required accessories	
10	Set up	
	Setting the running time	
	Calibration	Formula.#1
		Formula.#2
11	System test	
	Siphoning	
12	Operation – stand alone	
	Operation – remote start/stop manual	
	Operation – remote start/stop electrical	
13	Technical Data	Drawing
		Dimensions
		Connections
		Specifications
14	Routine maintenance	
	Trouble shooting	
15	Spare parts	
	How to order parts	
	Returning parts	
16	Warranty	
17	Warranty / return form	
18		Sketch of installation
19	Notes	

**EC DECLARATION
OF CONFORMITY**



Name and Address of the manufacturer:	Tapflo (UK) Ltd Highcove House Chandlers Ford Ind Est Hampshire SO53 4BU UK
Description of Equipment:	Pneumatic batch control system Timed
Model / Type:	TPUK-BT-***S TPUK-BTI-***S
Directives / Conformity Assessment Procedures:	The Machinery Directive (2006/42/EC) / Non Annex IV Machinery, Self declaration/Technical file
Declaration:	The person signing below declares that the above named equipment fulfils all the relevant provisions of the stated directives.
Place of Declaration	Tapflo (UK) Limited, SO53 4BU, UK
Date:	8/7/2011
Signed:	
Printed Name of Authorised Signatory:	Mr. M. Barnes
Position in Company:	Managing Director

Introduction

Tapflo (UK) pump control systems are designed to offer simple solutions for industrial pumping applications. The systems work in harmony with each pump application utilising similar means of power and methods of construction to give safe, simple and reliable use.

With proper installation, set-up and maintenance Tapflo (UK) systems give efficient and trouble free operation. This manual will familiarize operators with detailed information about installing, operating and maintenance of the system.

Warning symbols

The following warning symbols are present in this instruction manual. The warning information should be observed when either of these symbols is present.



This symbol highlights all safety instructions in this manual where danger to persons may occur. Observe these instructions carefully and proceed with the utmost caution in these situations. Inform all users of all safety instructions. In addition to the instructions in this manual, the general safety and accident prevention regulations must be observed.



This symbol highlights points in the instruction manual of particular importance for compliance with regulations and directives, for correct work flow and the prevention of damage to, or destruction of the system or its associate equipment.

Receiving inspection

Although every precaution is taken when packing and shipping, please carefully check goods on receipt, ensuring all parts listed on the packing note are accounted for. Report any damage or shortages to the delivery company and Tapflo (UK) within 24 hours of receipt.

Storage



If the equipment is to be stored prior to installation, place in a clean dry location ensuring it is not exposed to extreme temperature or humidity, ideally in original packaging to prevent contaminates entering the system.

Mounting



Tapflo (UK) systems will operate properly without being mounted unless otherwise stated. If the system is to be mounted please ensure the surface is suitable for the load detailed in the specifications and appropriate to the system and application.

Air connections



Please ensure all connections observe the specifications of the system, failure to observe this could result in damage to the system and danger to personnel.

Air preparation



All Tapflo (UK) systems are designed to run on clean, dry air, lubrication is not recommended. Maximum pressure is 7 bar (G) unless otherwise stated. An inline filter of 5 micron or finer is recommended to preserve the life of the system.

Air pressure



The maximum pressure specified in the data section of this manual must not be exceeded. Higher pressures can cause damage and may cause injury to personnel.

Health and Safety



Systems must be installed according to local and national safety rules. The system must be suitable for the application. Failure to do so could result in poor performance and a risk to plant and personnel. Consult Tapflo (UK) if in doubt.

Protection



In the interest of health and safety it is essential to wear appropriate PPE when operating and/or working in the vicinity of the application.

Explosive environments



Tapflo (UK) Ltd systems are not certified for use in explosive environments. Consult Tapflo (UK) for further information. Incorrect installation or use may cause injury or death to personnel in the vicinity of the installation!

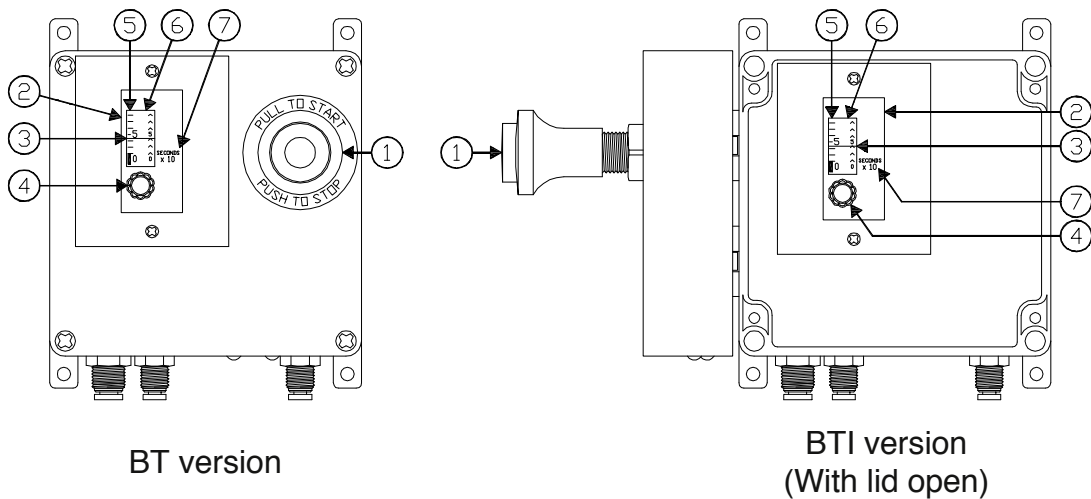
Principle of operation

Tapflo (UK)'s Pneumatic Timed Batcher is a non-intrusive, fully pneumatic run time controller for use with an AODD pump. The pump can be started locally or remotely, stopping automatically once the set time has elapsed, thus controlling the volume of product dispensed by the pump.

Variants

- TPUK-BT-***S** The timer (2-fig.1 BT version) is mounted externally, allowing the user to adjust the set time as required.
- TPUK-BTI-***S** The timer (2-fig.1 BTI version) is mounted internally, preventing the user from adjusting the set time. Access to the timer to adjust the set time is made using a screwdriver to release the hinged lid (see fig.1 BTI version).

Key components



(Fig.1)

Item No.	Description
1	Start/stop push/pull valve and visual indicator
2	Timer
3	Preset/remaining time marker
4	Set point adjuster
5	Set time indicator (see note #1)
6	Remaining time indicator (see note #1)
7	Scale factor (model specific)

(Note #1 : Apply scale factor 7-fig.1 to indicated figure)

Time ranges

Model	Time range	Repeat accuracy	Setting accuracy
TPUK-BT*-030S	2 – 30 seconds	+/- 0.3 seconds	+/- 0.6 seconds
TPUK-BT*-120S	8 – 120 seconds	+/- 1.2 seconds	+/- 2.4 seconds
TPUK-BT*-300S	20 – 300 seconds	+/- 3.0 seconds	+/- 6.0 seconds

Stand alone and remote start system configuration

Stand alone – see fig.2

The batcher is positioned within 20 metres of the pump, and controlled using the start/stop push/pull valve (1-fig.1). The timer adjustment (4-fig.1) is available for the users to adjust.

Remote start/stop – see fig.3

The batcher (1-fig.3) is controlled by either the remote start/stop station (5-fig.3) or directly by using the start/stop push/pull valve (1-fig.1). It is intended for use where the batcher is located away from the user, preventing uncontrolled adjustment of the timer setting (4-fig.1), for example the batcher (1-fig.3) is located with the pump (2-fig.3) in a chemical store and the remote start/stop (5-fig.3) is at the dispensing point.

The remote start/stop station (7-fig.3) can be used to extend the distance between the dispensing point and the pump (2-fig.3), as the remote start/stop station (7-fig.3) can be located up to 20 metres from the batcher (1-fig.3), which can also be 20 metres from the pump (2-fig.3).

The remote start/stop system is offered in either manual (SSR) or electrical (SSE) variants allowing the batcher to be started from a PLC for example.

Loss of pressure start-up system

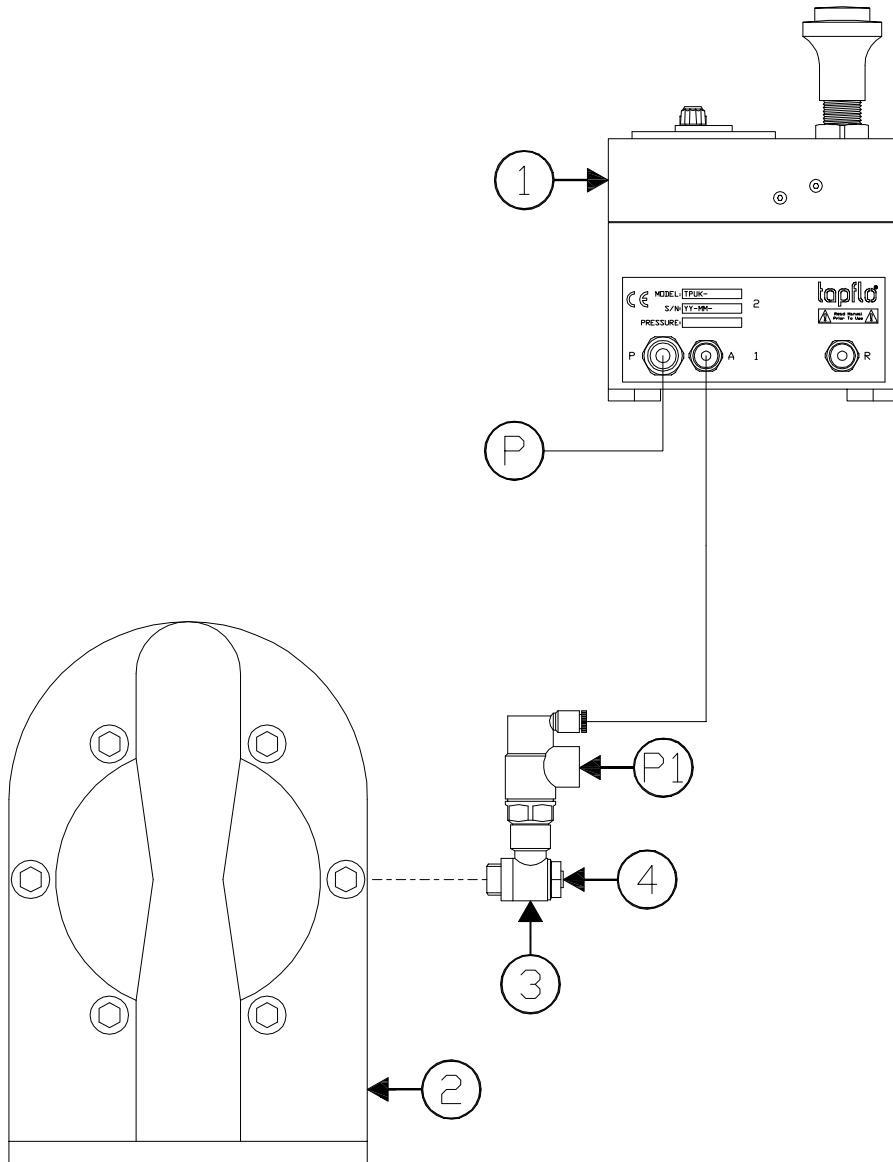
The batcher is equipped with a loss of pressure automatic reset system. If the compressed air supply (P) is removed and re-instated the start/stop push/pull valve (1-fig.1) will automatically reset to the 'off' position.

Essential accessories



Item 3 (Fig.2/3) is an essential accessory available from Tapflo (UK). Please consult Tapflo (UK) for further details.

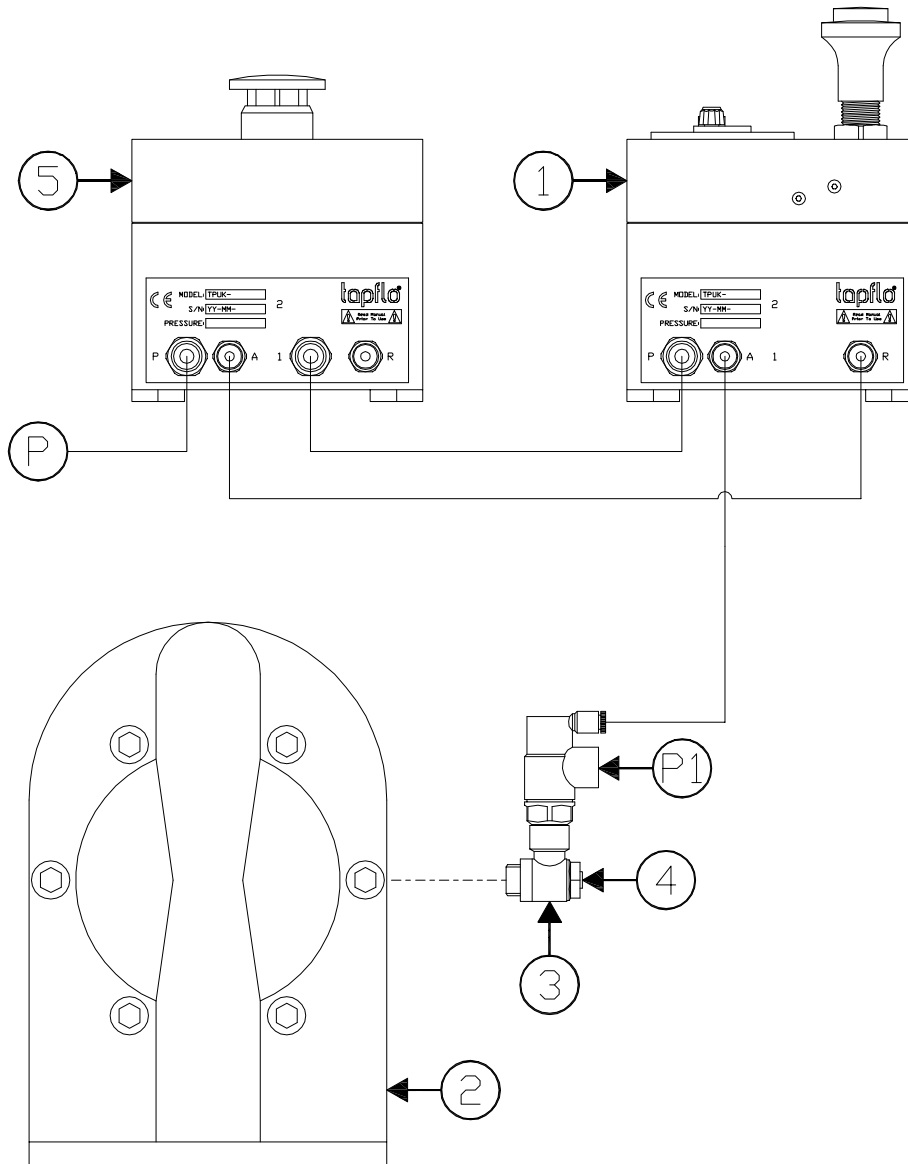
Recommended installation – Stand alone system



(Fig.2)

Item No.	Description
1	Tapflo (UK) pneumatic predetermining batch control system (TPUK-BT-***S / TPUK-BTI-***S) (BT version shown for representation purposes only)
2	Pump (for representation purposes only)
3	Combined blocking/needle valve (essential accessory) (Part No. TPUK-B/NV-size, sized to suit pump)
4	Pump speed control adjustment screw
P	System air supply connection
P1	Pump compressed air supply port

Recommended installation – With remote start/stop system



(Fig.3)

Item No.	Description
1	Tapflo (UK) pneumatic predetermining batch control system (TPUK-BT-***S / TPUK-BTI-***S) (BT version shown for representation purposes only)
2	Pump (for representation purposes only)
3	Combined blocking/needle valve (essential accessory) (Part No. TPUK-B/NV-size, sized to suit pump)
4	Pump speed control adjustment screw
5	Tapflo (UK) remote start/stop system (TPUK-SSR or SSE-voltage) (SSR shown for representation purposes only)
P	System air supply connection
P1	Pump compressed air supply port

Set up

Before using the system ensure the following



- The system is configured correctly and has not been modified.
- Make all connections as instructed.
- Set the air pressure.
- Turn the compressed air supply on.
- Check for leaks.
- The system is located on a clean, flat surface.

Setting the running time

To adjust the run time, rotate the set point adjustment knob (4-fig.1) until the desired time is shown at the preset time marker (3-fig.1).



Note the scale factor (7-fig.1)

Multiply the number shown at the preset time marker (3-fig.1) by the scale factor (7-fig.1) to give total preset time in seconds.

Calibration



Install the pump into the application, or prepare a test rig to enable the system to pump liquid. The system is best set using the media to be batched, however for safety reasons Tapflo (UK) recommend the system is wet tested with water first, then recalibrated once the whole pump system is installed and tested.

1. Ensure the system is configured as per fig 2/3
2. BTI versions - Undo the four lid retaining screws, lift the lid and swing open the enclosure to access the timer (2-fig.1).
3. Set the timer (2-fig.1) to 10 seconds (20 seconds for the TPUK-BT*-300S) as described in “Setting the running time” section above.
4. Using a flat bladed screwdriver turn the “pump speed control adjustment screw” (4-fig.2/3) fully clockwise.
5. Turn on the compressed air supplies P & P1 (fig.2/3).
6. Pull the start/stop-push/pull valve (1-fig.1), the timer (2-fig.1) will start timing down indicated by the “remaining time indicator” (6-fig.1) beginning to rotate, the pump should not start.
7. Using a flat bladed screwdriver slowly adjust the “pump speed control adjustment screw” (4-fig.2/3) until the pump is running at the desired flow rate (If the system times out whilst setting the pump speed, pull the start/stop-push/pull valve (1-fig.1) again to restart the pump.).
8. Using a stopwatch, check the timer setting. Start the stopwatch whilst

simultaneously pulling the start/stop push/pull valve (1-fig.1). Stop the stopwatch when the pump stops. Record the result. Repeat for improved accuracy.

9. Prime the system by repeatedly running the pump until media is discharged and no air is present.
10. Install or position a means of capturing the discharged media such as a suitable container.
11. Pull the start/stop-push/pull valve (1-fig.1), the pump should start and the timer will begin timing down, stopping the pump after the set time has elapsed.
12. Measure the volume of discharged media and using 'Formula.#1' to calculate the displacement per second.

$$\text{Formula.\#1} : \frac{\text{Displaced volume (litres)}}{\text{Run time (seconds)}} = \text{Litres / second}$$

13. Repeat step 10 to ensure the accuracy of the above calculation, obtaining an average over several runs.
14. To calculate the run time to give a set volume use 'Formula.#2' to calculate the required duration for a specific batch volume.

$$\text{Formula.\#2} : \frac{\text{Batch volume (litres)}}{\text{litres/second (Formula.\#1)}} = \text{Duration (seconds)}$$

15. Set the timer (1-fig.1) to the duration calculated in 'Formula.#2', as described in "Setting the running time" section.
16. Run a test cycle checking the dispensed volume is correct.
17. If the correct volume has been dispensed the batcher is calibrated.
18. BTI version – Replace the enclosure lid, ensuring no pipes are trapped
19. If the incorrect volume has been dispensed repeat this section.

System test



Once the system is fully installed and the media is primed, run some test cycles to confirm the calibration, adjusting the timer (2-fig.1) to perfect the batch size.

Deviations in supply pressure will affect dispenced volume. Fit an air pressure regulator to stabalise the incoming air pressure.

Siphoning



If the application has a positive head pressure on the suction of the pump, or the discharge is below the pump/media head there is a chance of siphoning that can cause inconsistent batch sizes. Install a non-return valve in the discharge with a cracking pressure greater than the head pressure to prevent this.

Operation – stand alone

Risk of product splashing or spill!



- Ensure pump discharge is positioned correctly to capture the discharged media.
- Use the correct PPE
- Use a bund if discharging into small containers

To dispense a batch, pull the start/stop-push/pull valve (1-fig.1).

- Pump will start and media is dispensed.
- Once the timer (2-fig.1) has recorded the set duration the pump will stop.
- The dispensed batch will be as per the calibration.

To stop the pump mid-batch, press the start/stop push/pull valve (1-fig.1).

- Pump will stop immediately
- The timer (2-fig.1) will reset

Operation – remote start/stop manual

The batcher can be started as per 'Operation – stand alone', but can also be operated via the optional remote start/stop system (TPUK-SSR)

To dispense a batch from the remote start/stop station press the start button

- Batch will be dispensed as per sequence detailed in stand alone system

To stop the pump mid-batch from the remote start/stop station, press the stop button.

- Pump will stop as per sequence detailed in stand alone system

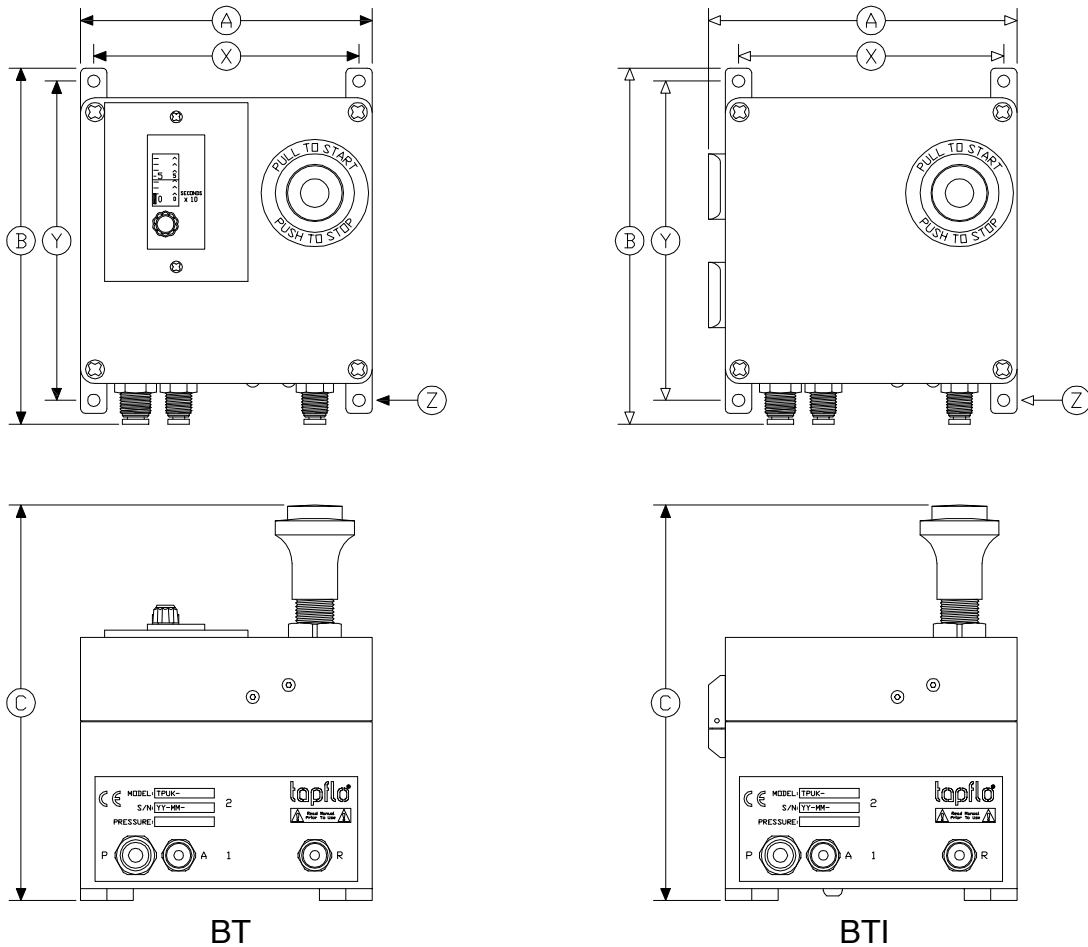
The stop button requires releasing after a mid-batch stop. Twist the stop button to release.

Whilst the stop button of the remote start/stop is pressed the start/stop push/pull valve of the batcher (1-fig.1) is disabled, automatically resetting when the remote start/stop stop button is released.

Operation – remote start/stop electrical

The batcher can be started via an electrical pulse as per the sequence described in 'Operation – stand alone' detailed above (TPUK-SSE-voltage)

Technical data



Dimensions			
A	BT=122 mm, BTI=129 mm	X	111 mm
B	150 mm	Y	134 mm
C	175 mm MAX	Z	Diameter 5 mm

Connections		
Port No.	Description	Connection type
P	Air supply	6mm push fit
A	Pump pilot output	4mm push fit
1		
2		
R	Remote start input	4mm push fit

Specifications	
Temperature range – Ambient	0°C to +40°C
Air pressure – Min/Max	3-6 BAR (G)
Pilot output flow rate at 6 bar with p=1	120 NI/min (Effective orifice = 2.5mm)
Weight	800 g

Routine maintenance

Routinely check the function and calibration, as normal wear can affect performance. To re-calibrate; follow the instructions in the application specific sections of this manual.

Trouble shooting

Check the system is configured as shown in the recommended configuration then see possible solutions below. If the problem persists consult Tapflo (UK).

Please refer to the pump manual for more detail specific to pump issues.

Symptom	Cause	Remedy
System inoperative	Insufficient air supply.	Check all incoming air supplies are connected and meet minimum requirements.
	Speed control adjusted to closed position.	Adjust the speed control (3-fig.2/3).
	Damaged interconnection	Check and repair any blocked or damaged interconnections
	Control system is out of calibration.	Check calibration as detailed in this O&M manual
	Remote start/stop button pressed	Reset as instructed in this manual.
	Pump issue.	See pump O&M manual.
Inconsistent batch sizes	No media	Ensure pump suction is immersed throughout the batch
	Fluctuating air supply	Check all incoming air supplies are connected and meet minimum requirements. Fit an air pressure regulator.
	Siphoning	Install non-return valve in the discharge line
	Leaking suction connections	Check and remake any damaged or leaking interconnections

Spare parts



There are no user serviceable parts within the system.
The essential accessories are detailed below.
Please consult Tapflo (UK) for service.

Quantity	Description	Part number
1	Combined blocking/needle valve	TPUK-B/NV- <i>size</i>

How to order parts

When ordering parts for Tapflo (UK) system, please provide the model number and serial number of the system, position number and quantity of items required.

Returning parts

To return parts to Tapflo (UK) please follow this procedure.



- Consult Tapflo (UK) for shipping instructions
- Cleanse, neutralise and rinse the part making sure the part is completely free from media
- Provide a certificate of decontamination, where appropriate
- Complete the Warranty / Returns form on following page and return articles carefully to prevent any damage during transport

Warranty

Tapflo UK warrants products under conditions as below for a period of not more than 12 months from installation and not more than 24 months from date of manufacture.

1. The following terms and condition apply to the sale of machinery, components and related services and products, of Tapflo UK (hereinafter "the products")
2. Tapflo UK (the manufacturer) warrants that:
 - a. its products as being free of defects in material, design and workmanship at the time of original purchase;
 - b. its products will function in accordance with Tapflo UK operative manuals; Tapflo UK does not guarantee that the product will meet the precise needs of the Customer, except for those purposes set out in any invitation to tender documents or other documents specifically made available to Tapflo UK before entering into this agreement;
 - c. high quality materials are used in the construction of the products and that machining and assembly are carried out to the highest standards.

Except as expressly stated above, Tapflo UK makes no warranties, express or implied, concerning the products, including all warranties of fitness for a particular purpose.

3. This warranty shall not be applicable in circumstances other than defects in material, design, and workmanship. In particular warranty shall not cover the following:
 - a. Periodic checks, maintenance, repair and replacement of parts due to normal wear and tear (seals, O-rings, rubber items, bushings, etc.);
 - b. Damage to the product resulting from:
 1. Tampering with, abuse or misuse, including but not limited to failure to use the product for its normal purposes as stated at the time of purchase or in accordance with Tapflo UK instructions for use and maintenance of the product, or the installation or improper ventilation or use of the product in a manner inconsistent with the technical or safety standard in force;
 2. Repairs performed by non-skilled personnel or use of non-original Tapflo UK parts
 3. Accidents or any cause beyond the control of Tapflo UK, including but not limited to lightning, water, fire, earthquake, and public disturbances, etc.;
4. The warrantee shall cover the replacement or repairing of any parts, which is documentedly faulty due to construction or assembling, with new or repaired parts free of charges delivered by Tapflo. Parts subjected to normal tear and wear shall not be covered by the warranty. Tapflo shall decide as to whether the defective or faulty part shall be replaced or repaired.
5. The warrantee of the products shall be valid for a period in accordance to the current law from the date of delivery, under the condition that notice of the alleged defect to the products or parts thereof be given to Tapflo UK in written within the mandatory term of 8 days from the discovery.
6. Repair or replacement under the terms of this warranty shall not give a right to an extension to, or a new commencement of, the period of warranty. Repair or replacement under the terms of this warranty may be fulfilled with functionally equivalent reconditioned units. Tapflo UK qualified personnel shall be solely entitled to carry out repair or replacement of faulty parts after careful examination of the pump. Replaced faulty parts or components will become the property of Tapflo UK
7. The products are built in accordance with standard CE normative and are tested (where applicable) by Tapflo UK. Approval and tests by other control authority are for the customers account. The products shall not be considered defective in materials, design or workmanship if they need to be adapted, changed or adjusted to conform to national or local technical or safety standards in force in any country other than that for which the unit was originally designed and manufactured. This warranty shall not reimburse such adaptations, changes or adjustments, or attempt to do so, whether properly performed or not, nor any damage resulting from them, nor any adaptation, change or adjustments to upgrade the products from their normal purpose as described in the products operative manual without the prior written consent of Tapflo UK
8. Installation, including electric and other connections to utility mains according to Tapflo UK drawings, is for the cost and responsibility of the customer, unless otherwise agreed in writing.
9. Tapflo UK will not be liable on any claim, whether in contract, tort, or otherwise, for any indirect, special, incidental, or consequential damages, caused to the customer or to third parties, including loss of profits, arising by any possible infringement of par. 3 above or by the customer or third parties being in the impossibility of using the products.

Notwithstanding the above, Tapflo UK liability to the customer or third parties from any claim, whether in contract, tort, or otherwise, shall be limited to the total amount paid by the customer for the product that caused the damages.

Warranty / return form			
Company			
Address			
Country			
Contact Name			
Telephone		Fax	
E-mail			
Delivery date		Install date	
System Type		Serial No.	
Description of fault			
Media			
Temperature (°C)		Viscosity (cPs)	
Spec. grav. (Kg/m ³)		pH (Value)	
Particle content (%)		Particle size (mm)	
Duty (h/day)		Starts per day (No.)	
Media Pressure (bar)			
Air pressure (bar)		Air quality	
Notes			

Warranty / return form

Sketch of installation

Whilst every effort has been made to ensure that all the information contained in this document is correct at the time of publication, due to our policy of continuous product improvement, the company reserves its right to change any information contained herein without notice.



Tapflo UK Ltd -
Tapflo House, Victory Close, Chandlers Ford, Hampshire SO53 4BU
t: +44 (0)23 8025 2325 f: +44 (0)23 8026 9016
e: sales@tapflopumps.co.uk w: www.tapflopumps.co.uk

DISTRIBUTOR: