

GR Series



The GR Series is characterised by its belt driven design where the motor is separated from the pump head and driven by a belt drive. When being used on particularly viscous or solids laden fluids the belt will slip to protect the motor from overloading. The series can be delivered either baseplate or trolley mounted and with or without control panel. The control panel features an on / off / reversing switch, which is fitted to the terminal box of the motor when a control panel isn't supplied. Dry Run Protection can also be fitted to the pump head as well as Manual or Spring Loaded By-Passes.

Voltages: 110, 230 & 400V (1 & 3 Phase)

Speeds: 300, 470, 600 & 700 rpm single & dual speed (235-470, 300-600 & 350-700 rpm)

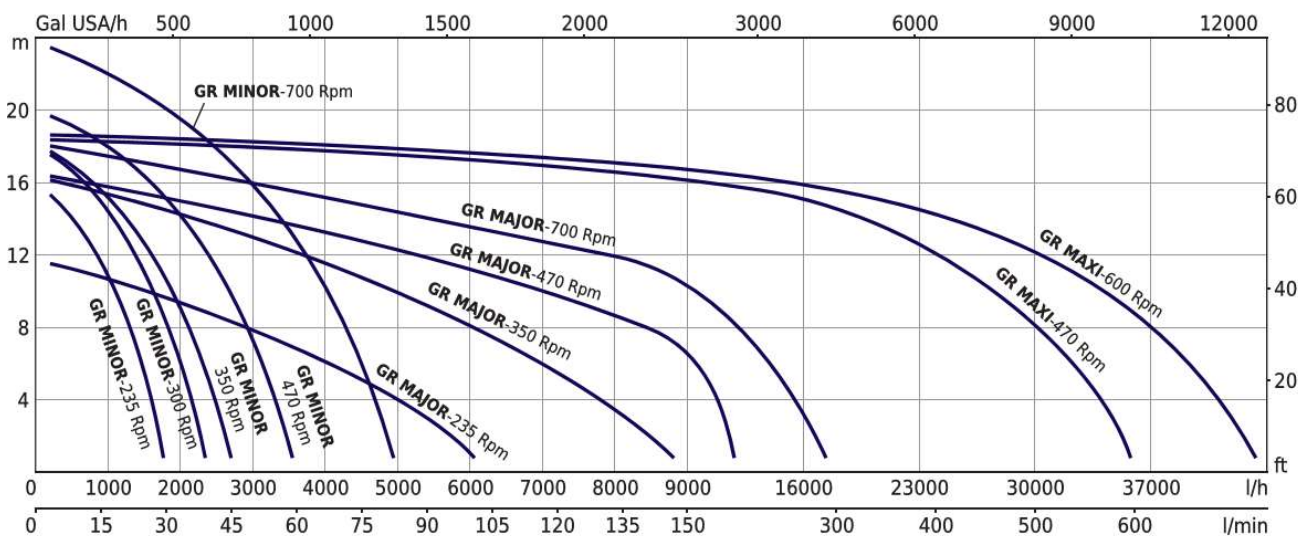
Counter Connections: All pumps are supplied with Garolla Fittings as standard however a wide range of connection & counter connection types are available upon request.

Performance & Dimensional Data:

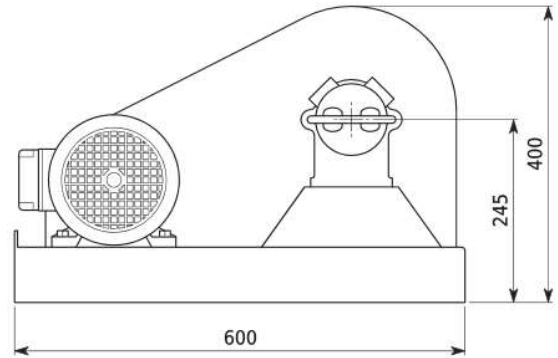
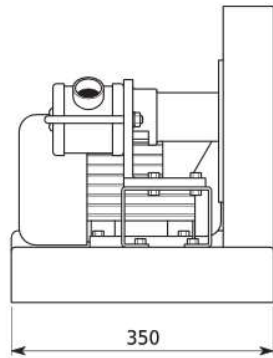
Tipo Type	Peso * Weight *	Motore ** Motor **	HP	kW	Velocità Speed	Giri/min Rpm	H (m) = Prevalenza / Head							
							0	4	8	12	16	18	20	24
GR MINOR 40	36 / 38 kg	MF - TF	2	1.5	1	300	2400	2150	1800	1400	700	0		
	36 / 38 kg	MF - TF	2	1.5	1	470	3600	3300	2900	2400	1600	1000	0	
	36 / 38 kg	MF - TF	2	1.5	1	700	5000	4700	4300	3700	3000	2520	1800	0
	45 / 46 kg	TF	2.2	1.6	2	470	3600	3300	2900	2400	1600	1000	0	
	40 / 41 kg	TF	3	2.2	2	700	5000	4700	4300	3700	3000	2520	1800	0
			2	1.5		350	2750	2500	2100	1600	800	0		
GR MAJOR 60	42 / 44 kg	MF - TF	2	1.5	1	470	12000	10500	8700	5100	0			
	42 / 44 kg	TF	2.5	1.86	1	700	18000	15000	12000	8400	2500	0		
	51 / 53 kg	TF	2.2	1.6	2	470	12000	10500	8700	5100	0			
	44 / 45 kg	TF	3	2.2	2	700	18000	15000	12000	8400	2500	0		
			2	1.5		350	9000	7800	6000	3700	0			
GR MAXI 80	65 / 67 kg	TF	5.5	4	1	470	36000	34200	30000	24000	12000	0		
	65 / 67 kg	TF	5.5	4	1	600	43800	41400	36000	30000	16000	0		

Q (l/h) = Portata / Capacity

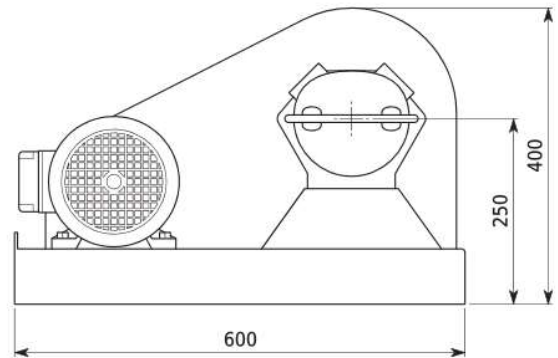
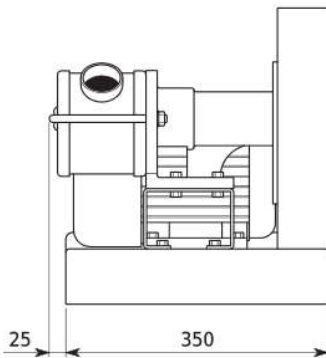
* Gruppo su base / Gruppo su carrello - Group on base / Group on trolley
 ** MF = monofase / single-phase - TF = trifase / three-phase



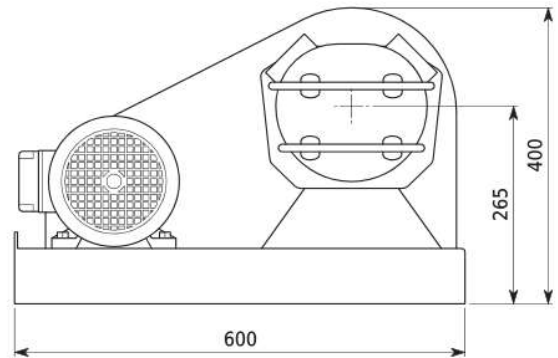
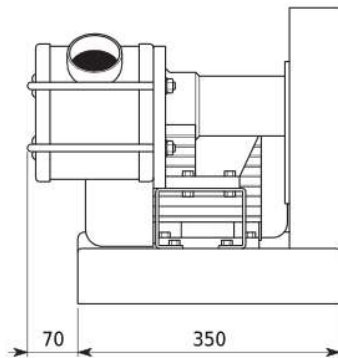
GR MINOR 40
su base
on base



GR MAJOR 60
su base
on base



GR MAXI 80
su base
on base



GR MINOR 40 - MAJOR 60 - MAXI 80
su carrello
on trolley

